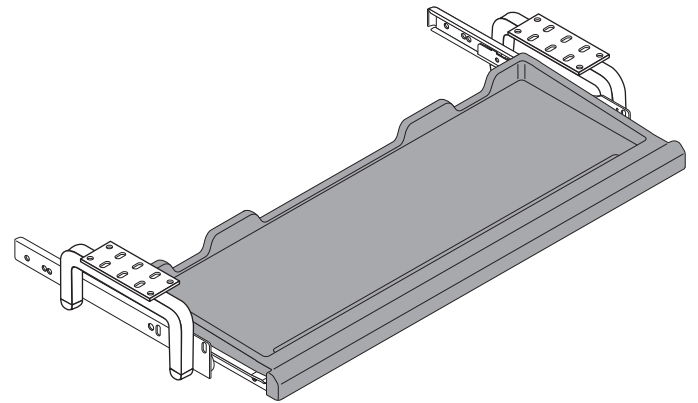
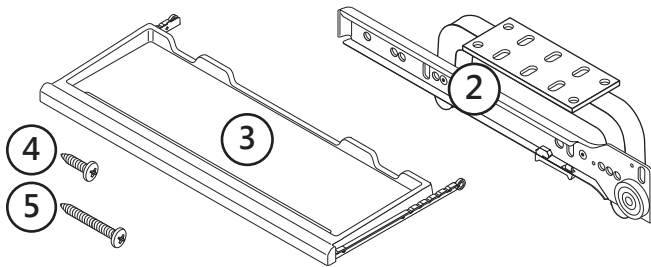


## PACKING LIST

REF. #	ITEM #	QTY	DESCRIPTION
1	20060126	1	Keyboard hanger with glide, Left
2	20060127	1	Keyboard hanger with glide, Right
3	Varies by size	1	Keyboard drawer
4	1412APPBO	4	#14 x 3/4"
5	50900032	2	#14 x 1-1/2"



## HARDWARE



### Step 1.

Drill holes for the specific keyboard size contained in the kit you are installing. *Care must be exercised to use the specifications in Figure 1 regarding drill size and hole depth.*

### Step 2.

As shown in Figure 2, attach Left Keyboard Hanger securely to the underside of work surface using two screws (Ref.4) and one screw (Ref. 5). Repeat procedure for right side.

**IMPORTANT:** The longer of the screws (Ref. 5) passes through the tubular section of the Keyboard Hanger allowing the assembly to be leveled by either tightening or loosening the screw. Adjusting the screws allows you to fine-tune the action of the keyboard drawer.

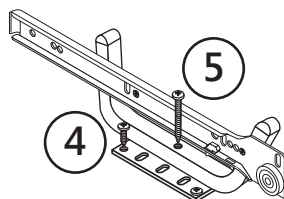


Figure 1

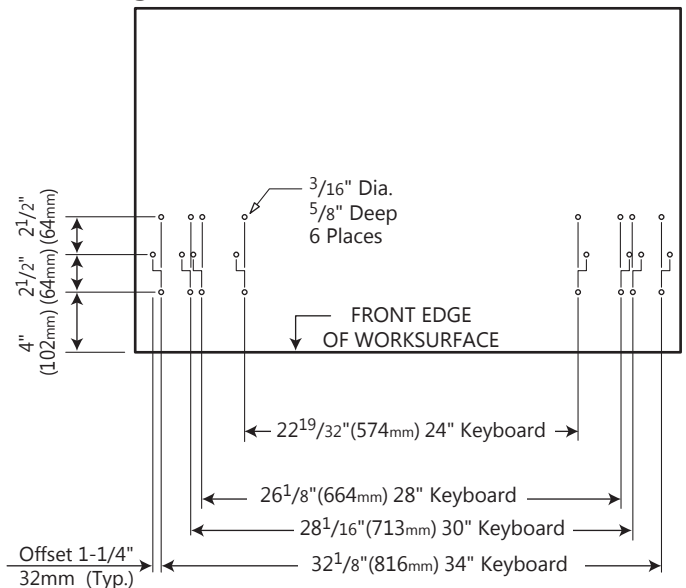
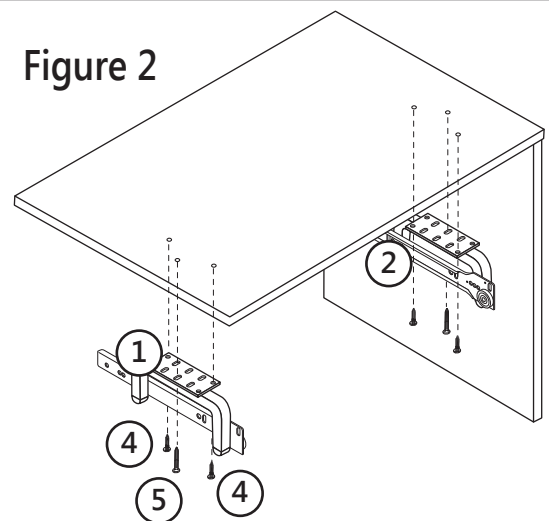
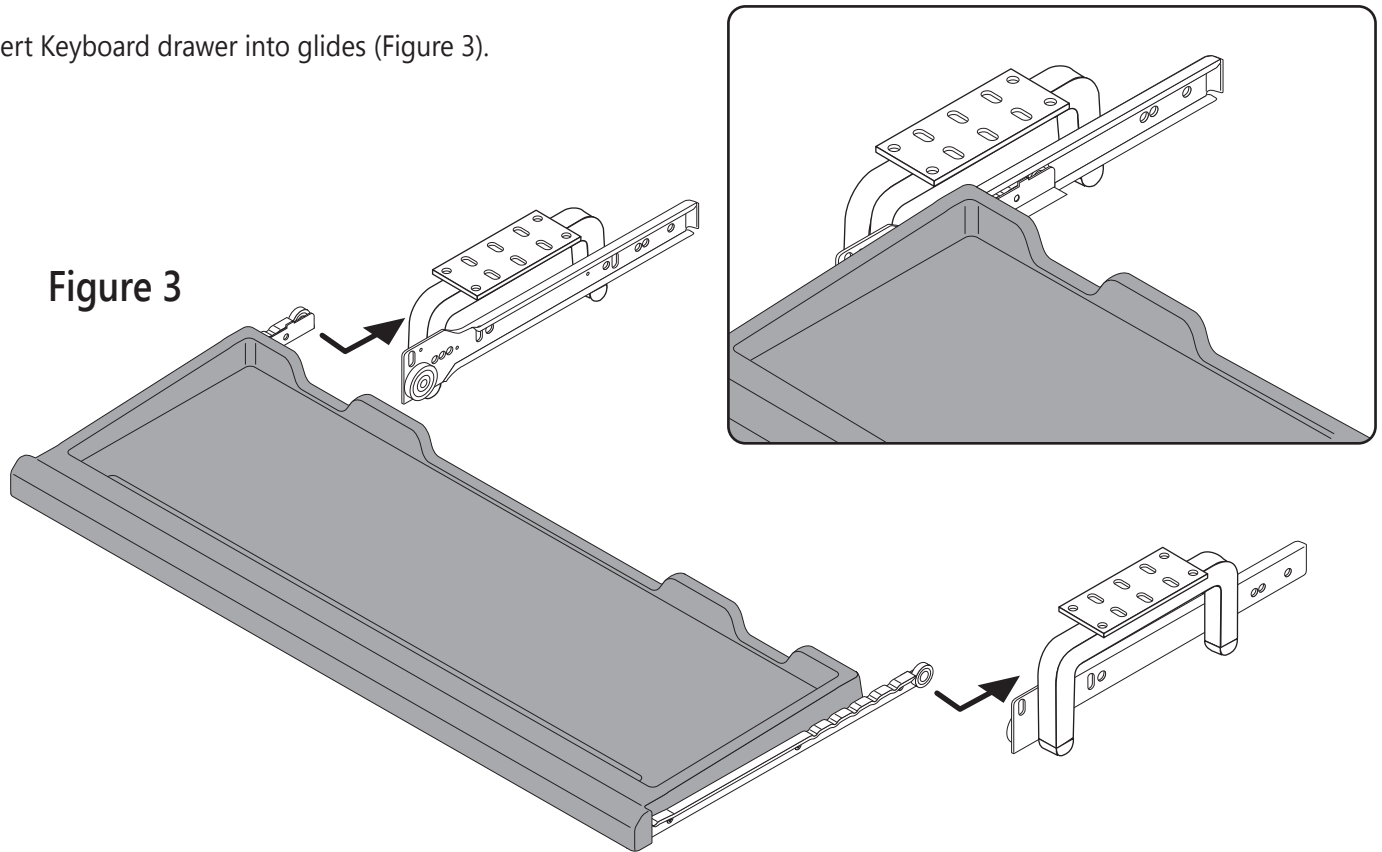


Figure 2



## Step 3.

Insert Keyboard drawer into glides (Figure 3).



## Step 4.

After installing keyboard drawer, pull locking tabs forward (See Figure 4) to lock in place.

