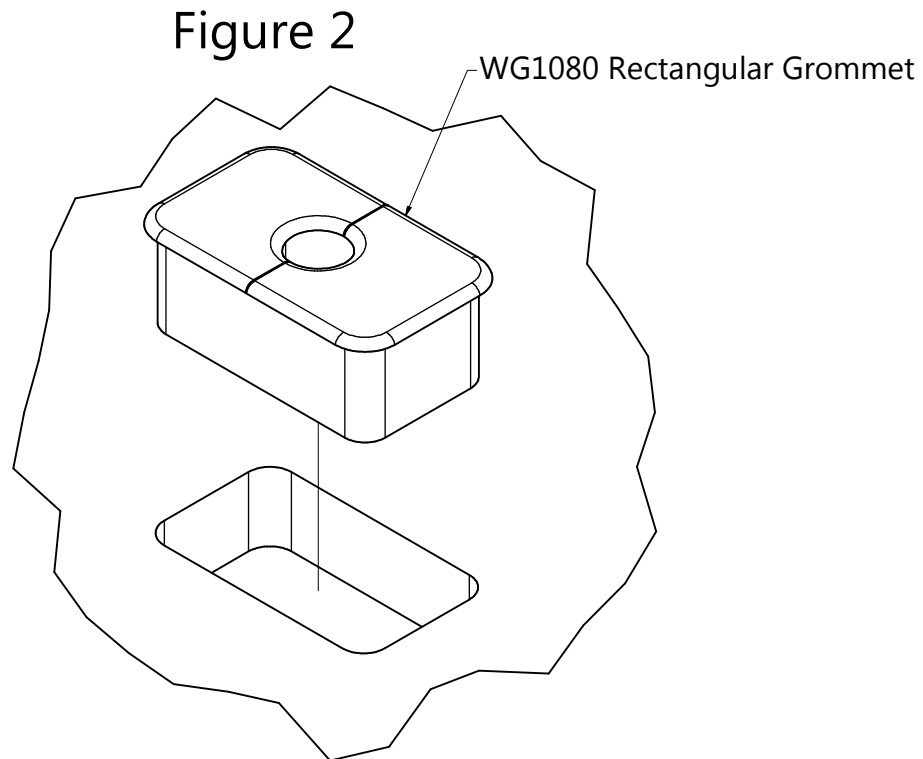


Step 1
Cut Grommet hole as shown in Figure 1 in desired location.



Step 2
Press Grommet into cutout; this will be a friction-fit.