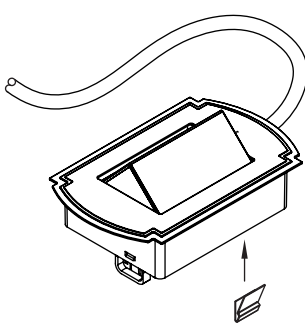
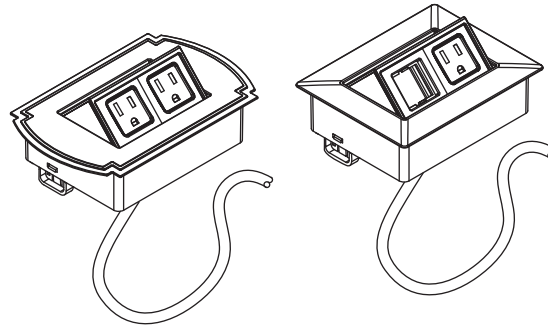
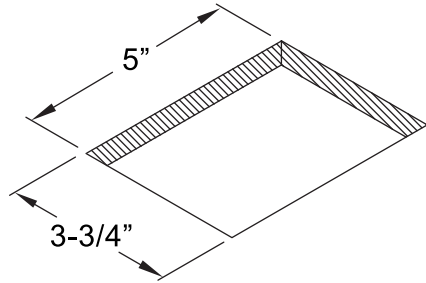


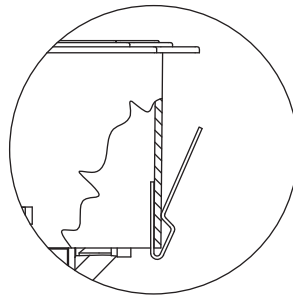


11225PP / 11225PD / 11225PC

Install data jacks as described in the installation instructions provided with data adapters, BE01421

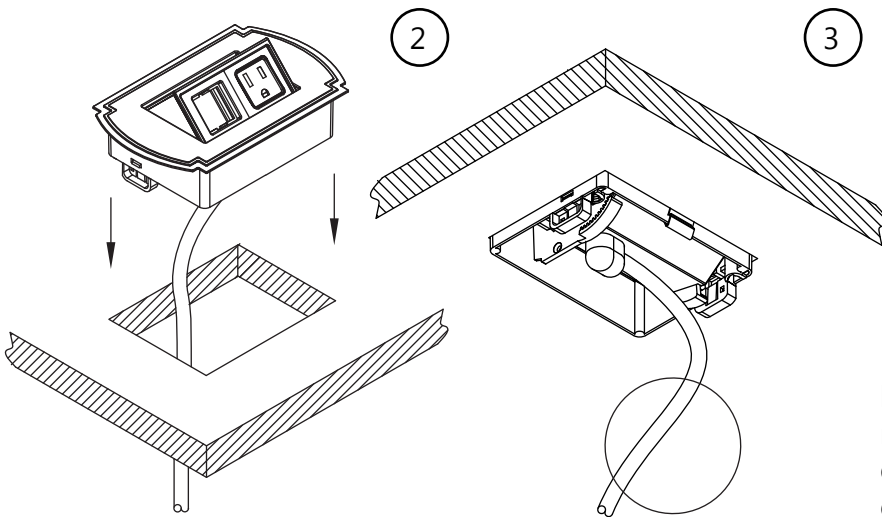


1



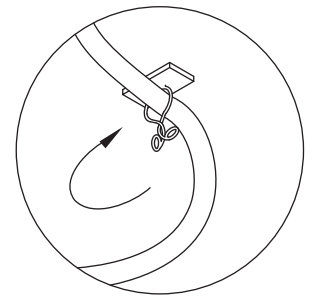
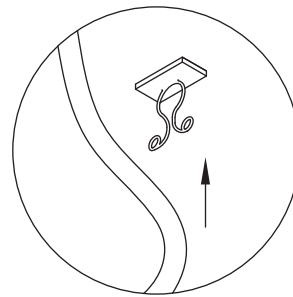
Attach 1 clips, at back of unit base.

Note: Metal clips are for use in hard surface material only as an optional mounting means



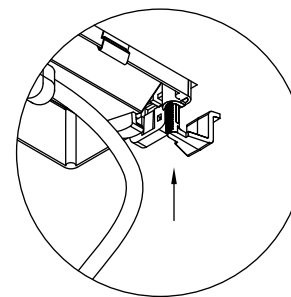
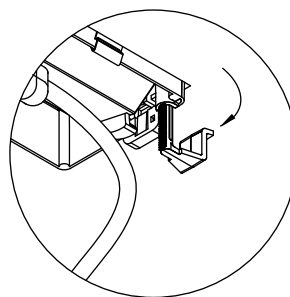
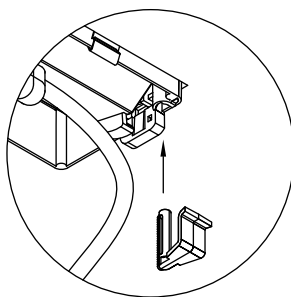
2

3



Note: In a conduit application, conduit should be supported according to local code. When managing conduit and cabling exiting the unit, ensure there is adequate slack to allow unit to open properly

4

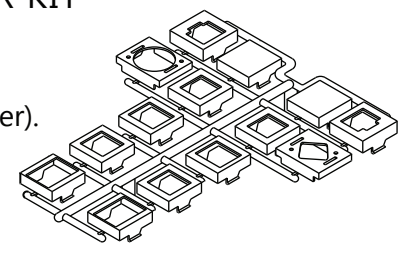




INSTALLATION INSTRUCTIONS FOR THE BYRNE DATA ADAPTER KIT

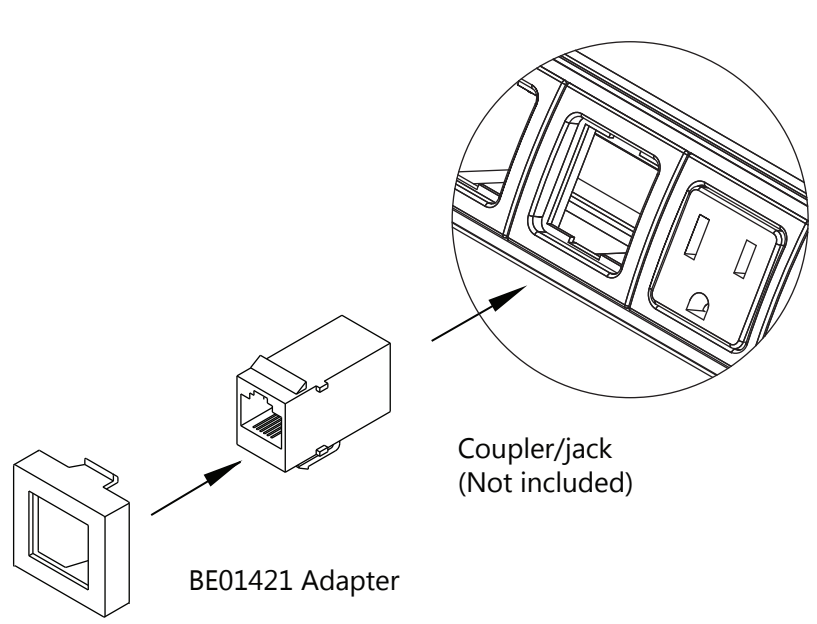
- 1 Select the appropriate BE01421 adapter from the chart below (example: Uniprise jack would use "AA" adapter as marked on back of adapter).

* Jacks, not included, UL Listed (DUXR) or Recongnized (DUXR2) jacks required.



Adapter	Manufacturer	Website
AA	Systimax/CommScope	www.Commscope.com/Systimax
AA	Uniprise/CommScope	www.Commscope.com/Uniprise
BB	L-Com Keystone Modular	www.L-Com.com
BB	NETCONNECT, and 110 Connect Series Modular Jack	www.Anixter.com
BB	Siemon ZMAX Style	www.Siemon.com
BB	Allen Tel Versa Tap Series	www.Graybar.com
BB	Leviton Quick Port ® Series	www.Leviton.com
BB	Belden REVconnect	www.Belden.com
CC	Hubbell Nextspeed ™ Keystone Series	www.Hubbell-premise.com
DD	Blank (no coupler/jack)	
EE	Ortronics TracJack Series	www.Ortronics.com
FF	Panduit Mini-Com Series	www.Panduit.com
GG	Microphone Jack/3-pin XLR, solder type only	www.Byrne.com
HH	Video Monitor Jack/DB-15, panel mount solder style	www.Byrne.com

Note: Please verify fit of jack in adapter before ordering large quantities as manufacturer designs may change without notice.



- 2 Snap jack into adapter following the instructions provided with the jack.
- 3 Once assemble, snap adapter into the notched, square holes in the orientation shown.

