



# 36" Lectern with Shelves



**Visual Display Options Available**

## Laminate Color Options

B = Base W = Worksurface





 BLACK (174) B	 BLACK LODESTONE (N62) W
 SLATE GREY (129) B	 GRAPHITE NEBULA (030) W
	 GREY NEBULA (044) W

 SILVER (N99) B W	 FASHION GREY (227) B W
	 WHITE (664) B W

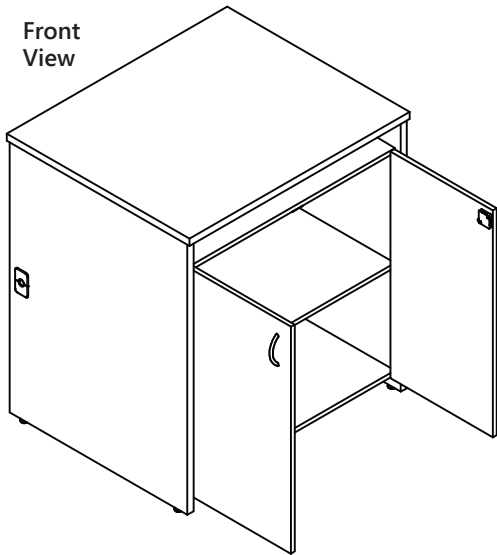
 WALNUT (537) B W	 EMPIRE MAHOGANY (531) B W
--	---

 WILD CHERRY (567) B W	 FUSION MAPLE (560) B W
---	--

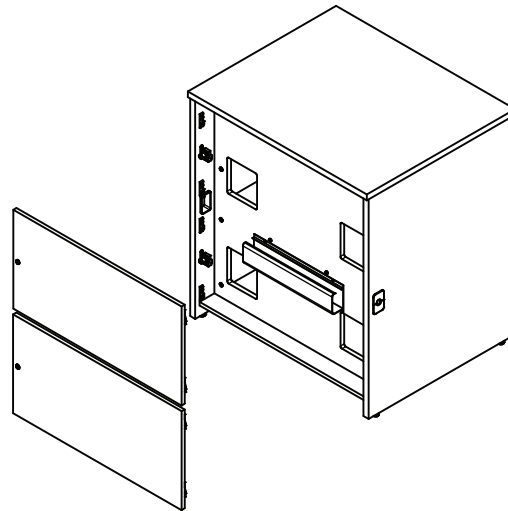
## Matching Metal Color (For Metal Modesty)

 POLISHED BLACK (PBL)	 SLATE (SLL)
 POLISHED SILVER (PSL)	 WHITE (WHT)

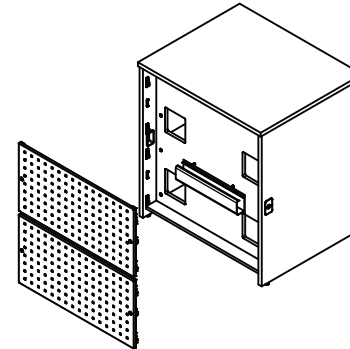
Front View



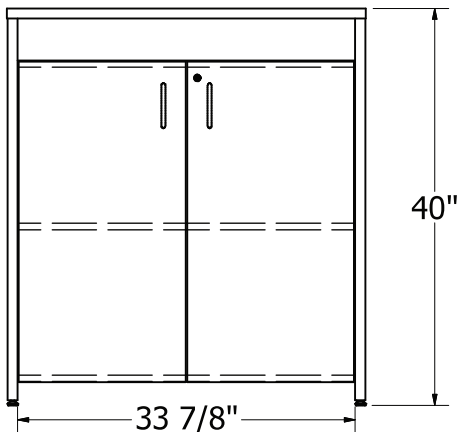
Rear View with Laminate Modesty (Modesty removed to view iMod™ Compartment)



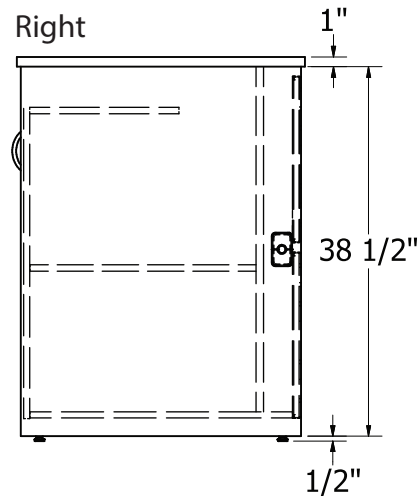
Optional Perforated Metal Modesty



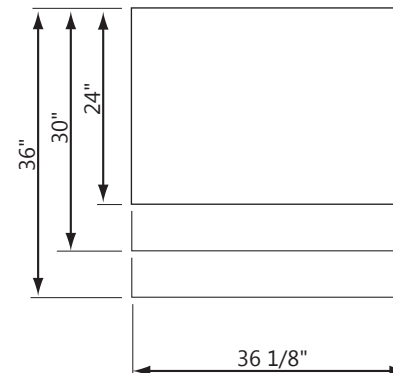
Front



Right



Top



**Trolley™ Monitor Lift**  
(Additional Powerstrip Included with Trolley)  
- TE0724NK - Trolley™ E  
- TE0728NK - Trolley™ EXL

**Downview™ Flat Panel Arm**  
- FPA1621NK - 16" x 21" Viewport (24" Minimum Worksurface Depth Required)  
- FPA1818NK - 18" x 18" Viewport (26" Minimum Worksurface Depth Required)  
- FPA1821NK - 18" x 21" Viewport (26" Minimum Worksurface Depth Required)  
- FPA2121NK - 21" x 21" Viewport (30" Minimum Worksurface Depth Required)  
- FPA2124NK - 21" x 24" Viewport (30" Minimum Worksurface Depth Required)

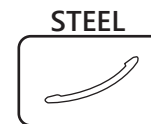
**Surface Mount Arm**  
- SMA0203NK

## Features

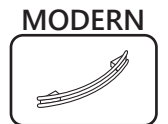
- 1" Thermofused Melamine
- Flat PVC Edge Banding
- Removable Locking Modesty Panels in Laminate or Perforated Metal
- Wire Management
- Multi-plug Power Strip
- Locking Doors
- Ships Assembled

**Also Available With:**  
Keyboard Drawer, Grommets, Casters, Dataports, Flip-up Shelves, Ventilation Fans, and Other Accessories.

## Pull Style & Finish Options



SB - Black  
SP - Chrome Polished  
SM - Chrome Matte



MC - Chrome Matte

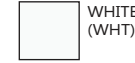
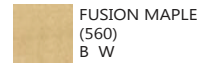
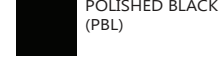
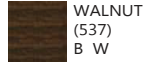
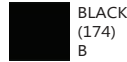


# 42"/ 48"/ 60" Wide Lecterns with Shelves

**Visual Display Options Available**

## Laminate Color Options

B = Base W = Worksurface



**Matching Metal Color (For Metal Modesty)**

**Trolley™ Monitor Lift**  
(Additional Powerstrip Included with Trolley)

- TE0724NK - Trolley™ E
- TE0728NK - Trolley™ EXL

### Downview™ Flat Panel Arm

- FPA1621NK - 16" x 21" Viewport  
(24" Minimum Worksurface Depth Required)
- FPA1818NK - 18" x 18" Viewport  
(26" Minimum Worksurface Depth Required)
- FPA1821NK - 18" x 21" Viewport  
(26" Minimum Worksurface Depth Required)
- FPA2121NK - 21" x 21" Viewport  
(30" Minimum Worksurface Depth Required)
- FPA2124NK - 21" x 24" Viewport  
(30" Minimum Worksurface Depth Required)

### Surface Mount Arm

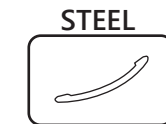
- SMA0203NK

## Features

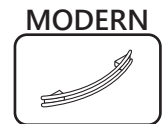
- 1" Thermofused Melamine
- Flat PVC Edge Banding
- Removable Locking Modesty Panels in Laminate or Perforated Metal
- Wire Management
- Multi-plug Power Strip
- Locking Doors
- Ships Assembled

**Also Available With:**  
Keyboard Drawer, Grommets, Casters, Dataports, Flip-up Shelves, Ventilation Fans, and Other Accessories.

## Pull Style & Finish Options

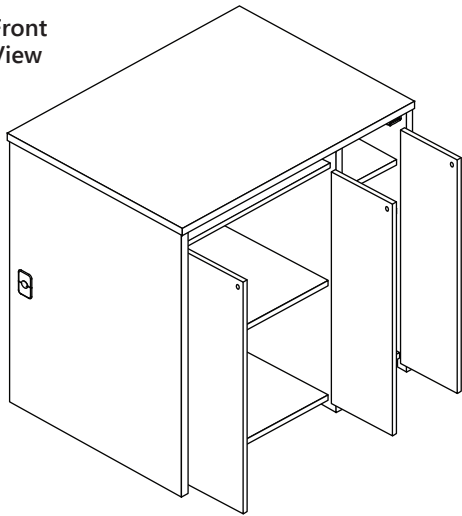


- SB - Black
- SP - Chrome Polished
- SM - Chrome Matte

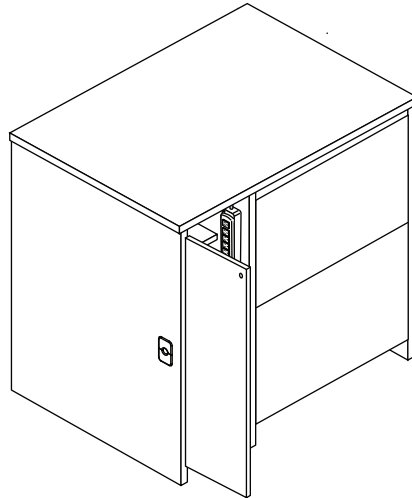


MC - Chrome Matte

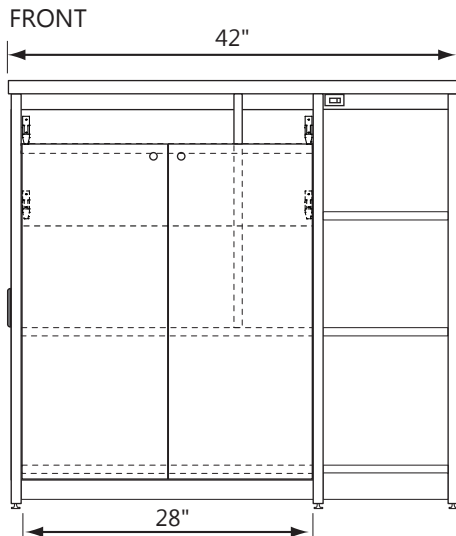
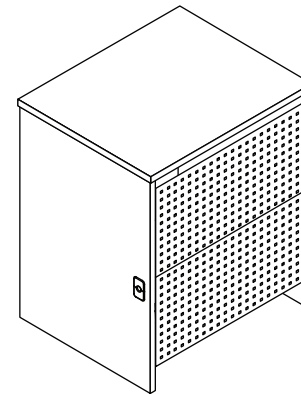
Front View



Rear View with Laminate Modesty



Optional Perforated Metal Modesty (36" Model Shown)



CPU STORAGE WIDTH:  
42" W = 11" W  
48" W = 17" W  
60" W = 23" W

