

# CLASSROOM TRAINING SINGLE SURFACE MOUNT ARM TABLE 26-RL243630TL-SMA0203NK



Mod Type	Table	Table	Table	Leg Style	Visual Display Option	Nova Kybd
L -> Laminate	Depth	Width	Height	TL -> T Leg	Surface Mount Arm	
M -> Metal	24" D	36" W	30" H	AL -> Arched Leg		
	26" D	42" W	32" H	Leg		
	30" D					

## Laminate Colors

	BLACK (174) B
	SLATE GREY (129) B
	FASHION GREY (227) B W
	WHITE (664) B W
	WALNUT (537) B W
	EMPIRE MAHOGANY (531) B W

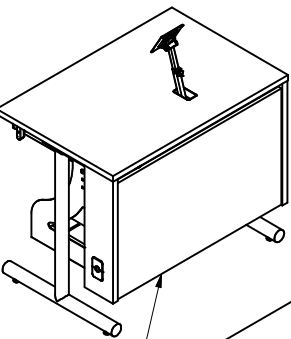
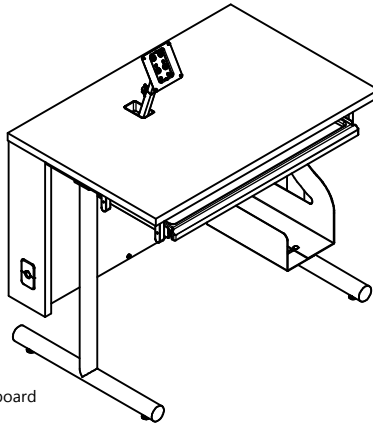
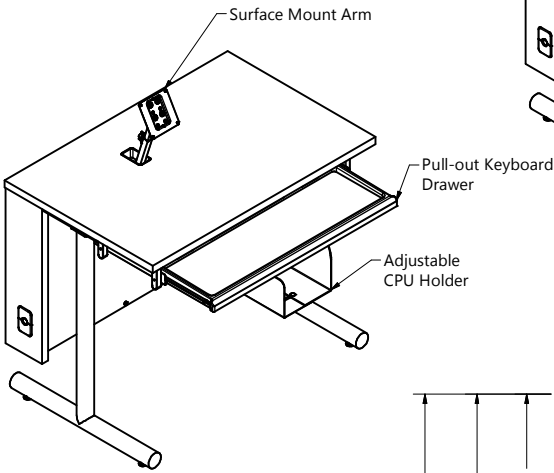
## B = Base W = Worksurface

	GRAPHITE NEBULA (030) W
	BLACK LODESTONE (N62) W
	GREY NEBULA (044) W
	SILVER (N99) B W
	WILD CHERRY (567) B W
	FUSION MAPLE (560) B W

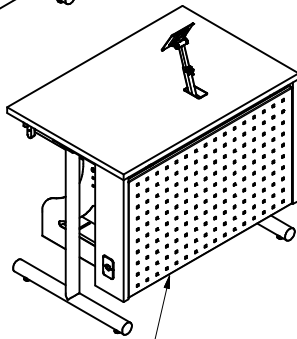
## Metal Color

(For Legs & Metal Modesty)

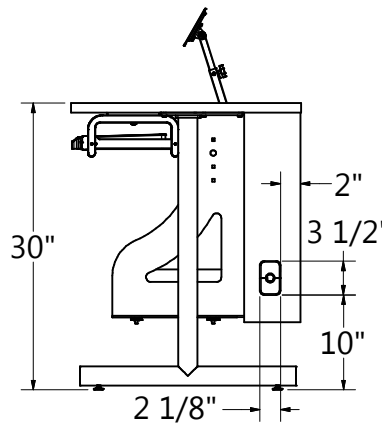
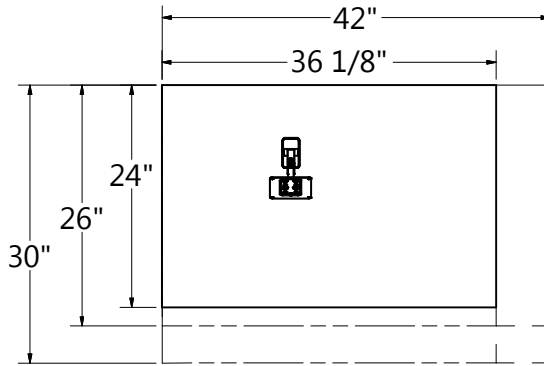
	POLISHED BLACK (PBL)		POLISHED SILVER (PSL)
	SLATE (SLL)		WHITE (WHT)



Laminate Modesty Panel Option  
Model # 26-RL...



Perforated Metal Modesty Panel Option  
Model # 26-RM...



Also available in 32" high

## Features

- Thermofused Melamine Work Surface
- Flat PVC Edgebanding
- iMod™ compartment with removable modesty panel (Available in laminate or metal)
- Wire management and six plug powerstrip
- Adjustable CPU Holder (also available without)
- Manufactured with recycled post-industrial materials

## Visual Display Options

### Surface Mount Arm SMA0203NK

## Accessories

Available with casters, grommets, dataports, privacy panels, mending/bridge plates, and other accessories (See Accessories section in pricebook).

## Other Options

Also available as a ADA Height-Compliant table.

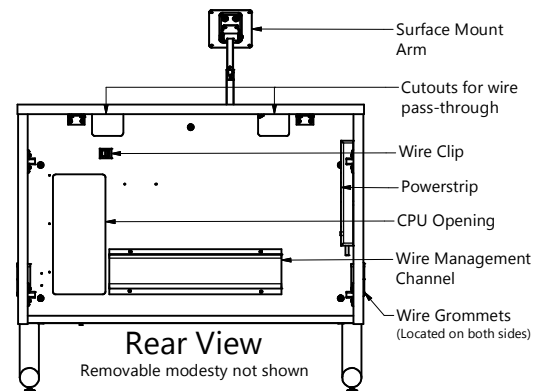
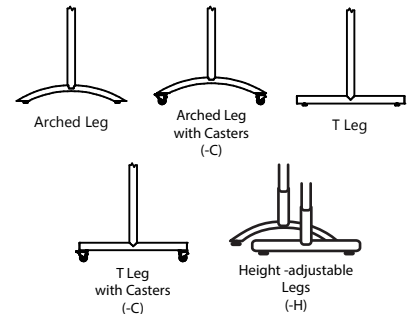
## Max Monitor Weight / Size

Fits up to 24" widescreen  
Hold up to 21 lbs.

## Adjustable CPU Width

Standard: 4 1/4" - 7 1/2"  
Smaller CPU sizes available

## Leg Styles



# CLASSROOM TRAINING DOUBLE SURFACE MOUNT ARM TABLE 26-RL247230TL-SMA0203NK



Mod Type	Table Depth	Table Width	Table Height	Leg Style	Visual Display Option	Nova Kybd
L -> Laminate	24" D	72" W	30" H	TL -> T Leg	Surface Mount Arm	
M -> Metal	26" D		32" H	AL -> Arched Leg		
	30" D					

## Laminate Colors

	BLACK (174) B
	SLATE GREY (129) B
	FASHION GREY (227) B W
	WHITE (664) B W
	WALNUT (537) B W
	EMPIRE MAHOGANY (531) B W

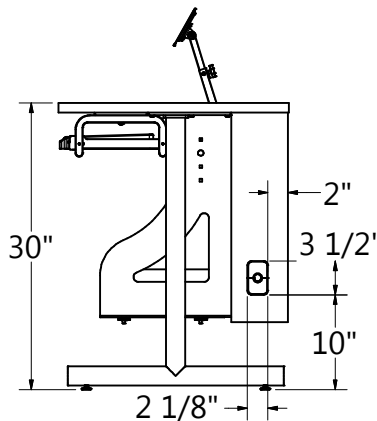
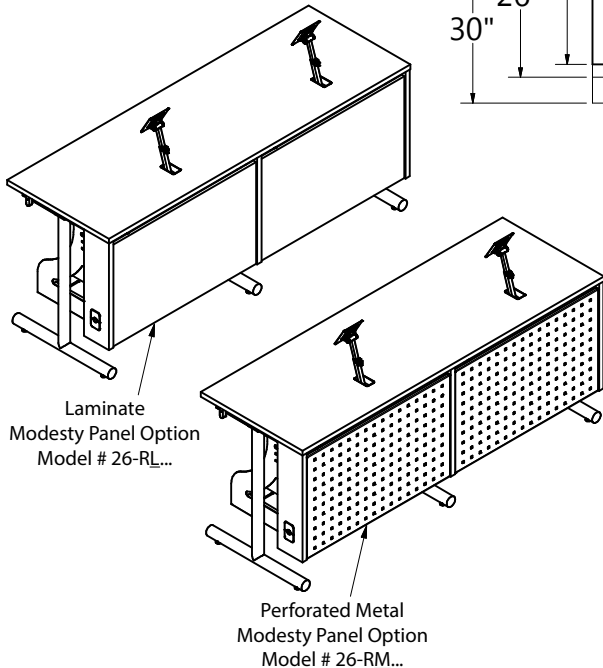
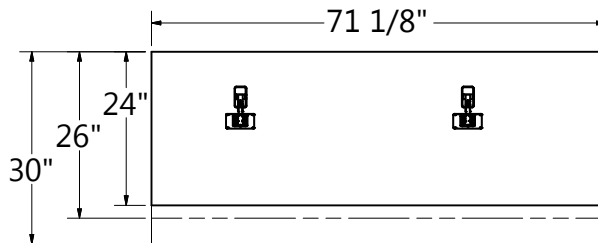
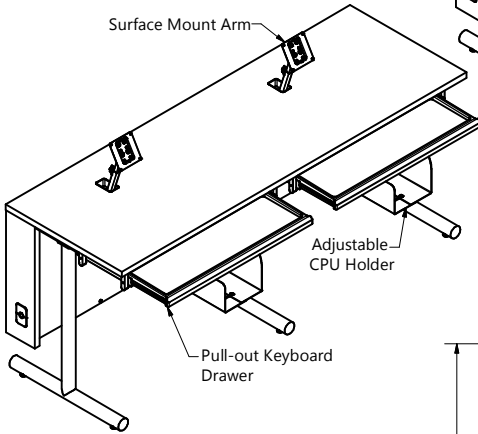
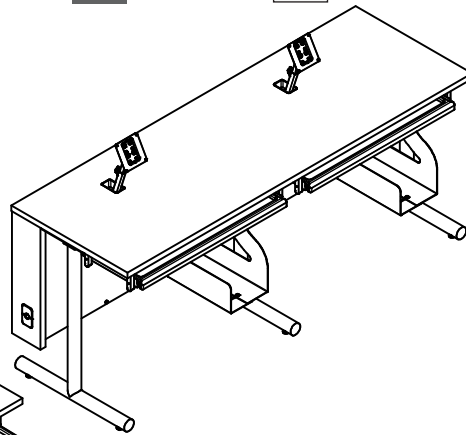
## B = Base W = Worksurface

	GRAPHITE NEBULA (030) W
	BLACK LODESTONE (N62) W
	GREY NEBULA (044) W
	SILVER (N99) B W
	WILD CHERRY (567) B W
	FUSION MAPLE (560) B W

## Metal Color

(For Legs & Metal Modesty)

	POLISHED BLACK (PBL)		POLISHED SILVER (PSL)
	SLATE (SLL)		WHITE (WHT)



Also available in 32" high

## Features

- Thermofused Melamine Work Surface
- Flat PVC Edgebanding
- iMod™ compartment with removable modesty panel per user (Available in laminate or metal)
- Wire management and six plug powerstrip per user
- Adjustable CPU Holder per user (also available without)
- Manufactured with recycled post-industrial materials

## Visual Display Options

Surface Mount Arm  
SMA0203NK

## Accessories

Available with casters, grommets, dataports, privacy panels, mending/bridge plates, and other accessories (See Accessories section in pricebook).

## Other Options

Also available as a ADA Height-Compliant table.

## Max Monitor Weight / Size

Fits up to 24" widescreen monitors  
Holds up to 21 lbs.

## Adjustable CPU Width

Standard: 4 1/4" - 7 1/2"  
Smaller CPU sizes available

## Leg Styles

