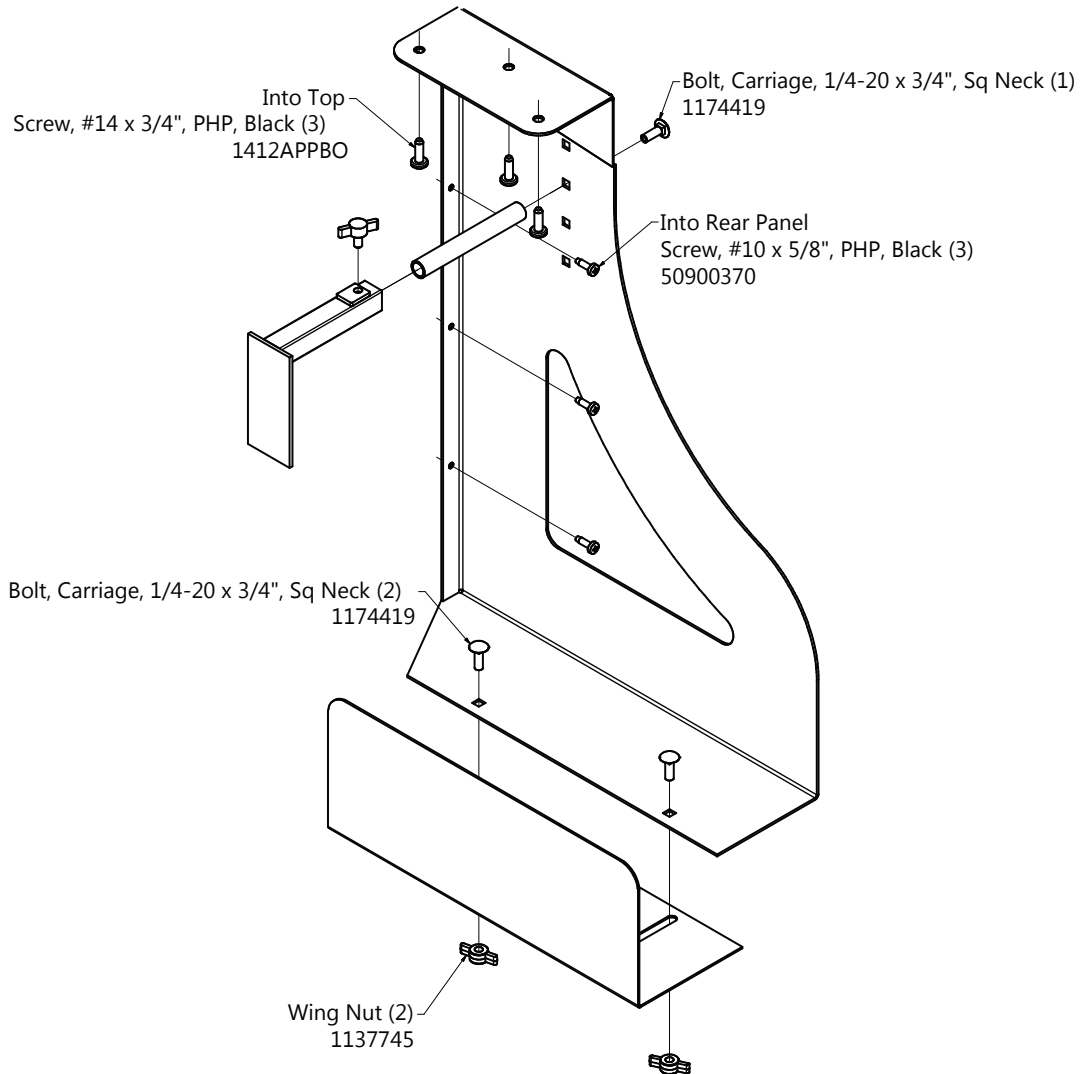
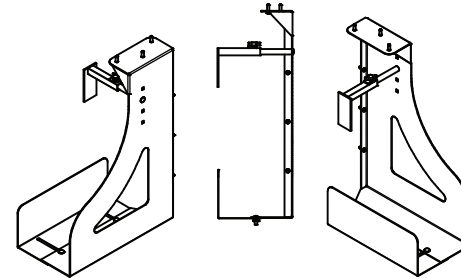


# CPU Holder Size Options



## Standard CPU Holder (AC-ACPU1)

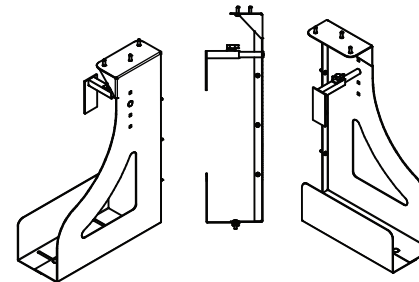


Mounts to underside of work surface.  
Fits most CPUs up to 18" high.

Width adjusts to fit CPUs from  
4.25" - 7.5" Wide

Left CPU also available  
(Add -L to end of part number)

## Medium Profile CPU Holder (AC-ACPU4)

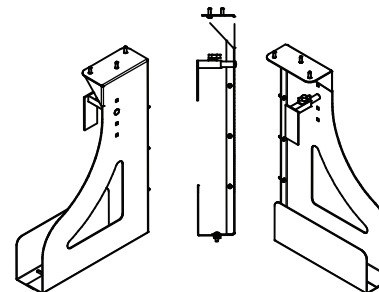


Mounts to underside of work surface.  
Fits CPUs up to 18" high.

Width adjusts to fit CPUs from  
3.25" - 5.5" Wide

Left CPU also available  
(Add -L to end of part number)

## Ultra Thin Profile CPU Holder (AC-ACPU3)



Mounts to underside of work surface.  
Fits CPUs up to 18" high.

Width adjusts to fit CPUs from  
2.25" - 3.5" Wide

Left CPU also available  
(Add -L to end of part number)