















35" High Double Study Carrel

Laminate Color Options

B = Base W = Worksurface

 BLACK (174) B	 BLACK LODESTONE (N62) W	 GREY NEBULA (044) W	 FASHION GREY (227) B W	 WALNUT (537) B W	 WILD CHERRY (567) B W
 SLATE GREY (129) B	 GRAPHITE NEBULA (030) W	 SILVER (N99) B W	 WHITE (664) B W	 EMPIRE MAHOGANY (531) B W	 FUSION MAPLE (560) B W

Visual Display Options Available

Trolley™ Monitor Lift

- TE0724NK - Trolley™ E
- TE0728NK - Trolley™ EXL

Downview™ Flat Panel Arm

- FPA1621NK - 16" x 21" Viewport
(24" Minimum Worksurface Depth Required)
- FPA1818NK - 18" x 18" Viewport
(26" Minimum Worksurface Depth Required)
- FPA1821NK - 18" x 21" Viewport
(26" Minimum Worksurface Depth Required)
- FPA2121NK - 21" x 21" Viewport
(30" Minimum Worksurface Depth Required)
- FPA2124NK - 21" x 24" Viewport
(30" Minimum Worksurface Depth Required)

Surface Mount Arm

- SMA0203NK

If Visual Display Option is specified, a CPU shelf, powerstrip, and wire management channel will be added.

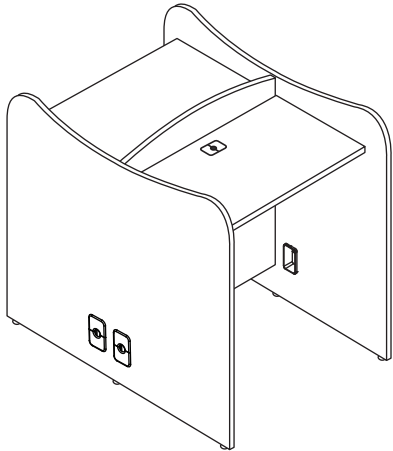
Features

- 1" Thermofused Melamine Worksurface
- Flat PVC Edge Banding
- Manufactured with Recycled Post Industrial Materials
- Rectangular Black Plastic Grommet in Worksurface and End Panels
- Ships Knocked Down

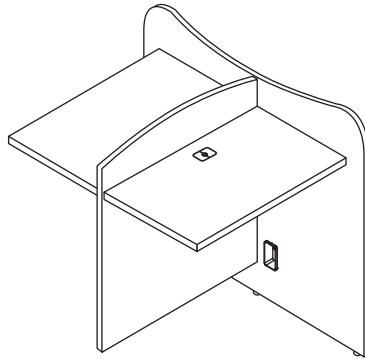
Accessories:

Wire Management, Multi-plug Powerstrip, Keyboard Drawer, Dataports, CPU Holder, and other Accessories

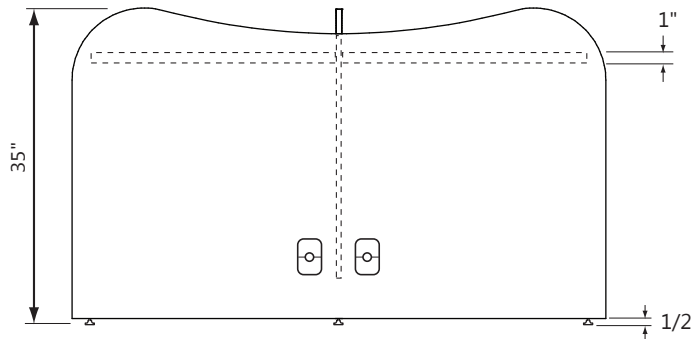
Starter



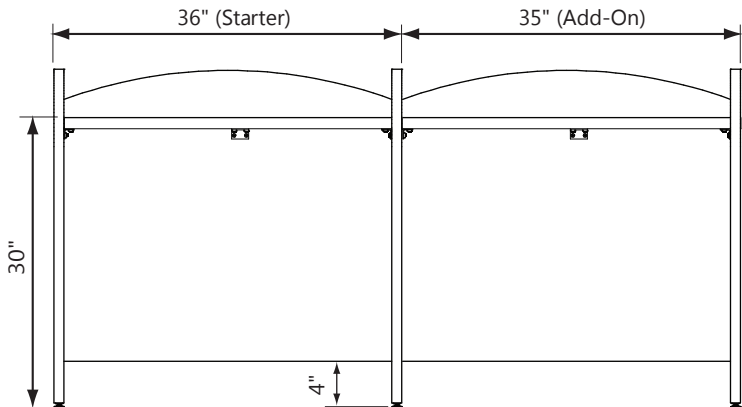
Add-On



Left View



Front View



Top View

